

General Information

Selection Guide

Order Submittal Sheet

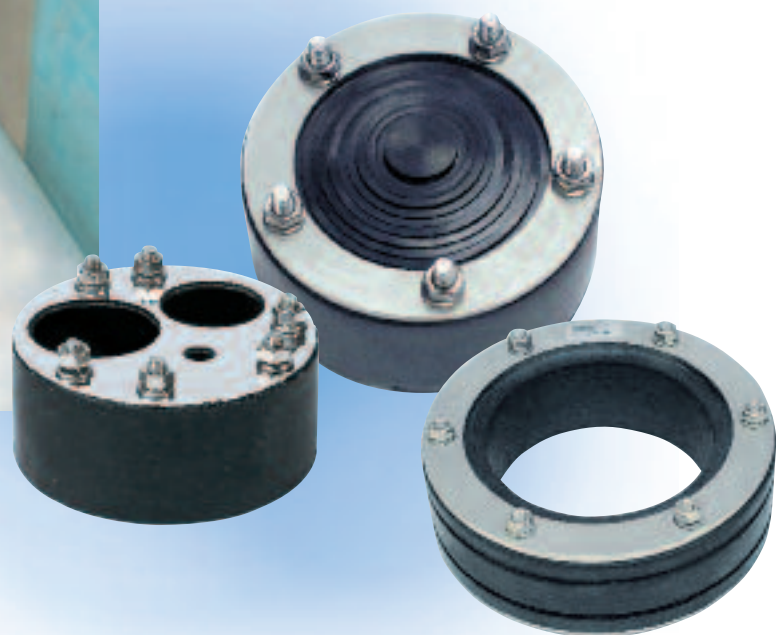
Installation Instruction

PSI Kompakt-Seals

Kompakt-Standard

Kompakt-Special

Kompakt-Varia



Pipeline Accessories

PSI Kompakt-Seals

General Information



The Sealing System

The new PSI sealing system COMPAKT is the perfect complement to our Link-Seal® modular seal. It offers ideal sealing for wall opening of gas, water and sewage pipes as well as for cables. The COMPAKT seal is a pressure tight system. Pressure plates made of stainless steel.

Description

The 40 mm wide rubber element is compressed by means of two metallic discs. The PSI COMPAKT seals the annular space between the carrier pipe and the casing pipe or the core drilled hole against water or gas.

Kompakt Varia 1.5

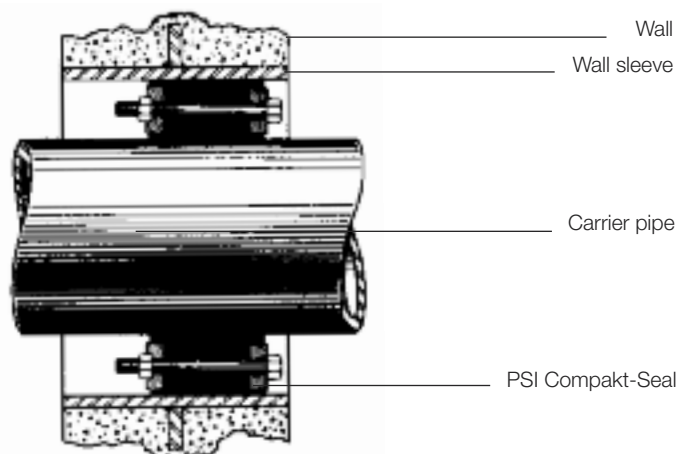
The COMPAKT Type Varia 1.5 is a flexible sealing system which can be used either as a blind seal or as a seal for pipes e.g. cables from O.D. 18 up to 65 mm. The "onion ring technology" allows small steps of 5 mm and therefore ensures a perfect tightness.

Accessories

PVC, Steel and asbestos-free fibre cement sleeves, KB epoxy resin.

	Kompakt-Standard	Kompakt FW for district heating pipes	Kompakt-Varia 1.5 onion rings	Kompakt-Special tailor made
pressure plates	V2A	V2A	V2A	V2A/VA4 possible
closed	Standard	Standard	Standard	Standard
split/open version	available	–	–	available
pressure tightness	2,0 bar	2,0 bar	1,5 bar	1,5 bar
drinking water	no	no	no	yes on request
rubber thickness	40 mm	2 x 40 mm	40 mm	< I.D. 800 40 mm > I.D. 800 80 mm
rubber quality	EPDM	EPDM	NBR	EPDM or NBR
temperature range	-30°C up to +120°C	-30°C up to +120°C	-30°C up to +70°C	EPDM NBR -30°C up to +70°C
shore A	45 ± 5°	40 ± 5°	50 ± 5°	50 ± 5°
Wall opening min/max	50 - 400 mm	125 - 400 mm	100 mm	30 - 2200 mm


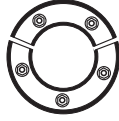
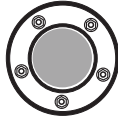
Sectional drawing of a PSI COMPAKT-Seal



PSI Kompakt-Seals

Selection Guide

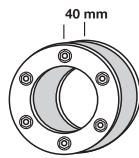
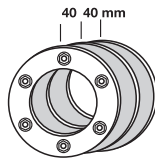


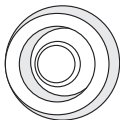
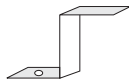

Please copy the order sheet and fax to PSI Ltd Fax +44 (0) 1480 404662									
Core drilled hole e.g. wall sleeve	Carrier pipe in mm		Description	V2A-pressure plates bolts V2A		V2A-pressure plates devided version bolts V2A		Blind V2A-pressure plates devided version bolts V2A	
	mm	min.		max.	Part no.	pcs.	Part no.	pcs.	Part no.
50	6	12		*		*		*	
70	10	22		*		*		*	
70	24	32	Kompakt	4-023- 22328		4-023- 22518		*	
70	32	41	Kompakt	4-023- 22329		4-023- 22519		*	
80	20	28	Kompakt	4-024- 22330		4-024- 22520			
80	32	40	Kompakt	4-024- 22331		4-024- 22521		4-024- 22347	
Kompakt Varia 1,5 with onion ring sealings									
100	18	65		4-023- 22439					
100	15	22		*		*			
100	20	28	Kompakt	4-023- 22380		4-023- 22517		4-024- 22348	
100	25	32	Kompakt	4-023- 22651		4-023- 22537			
100	32	40	Kompakt	4-024- 22332		4-024- 22522			
100	36	44	Kompakt	4-024- 22333		4-024- 22523			
100	46	56	Kompakt	4-024- 22334		4-024- 22524			
100	55	65	Kompakt	4-024- 22335		4-023- 22525			
119 (KG DN 125)	45	54	Kompakt	4-023- 22394		*		*	
119 (KG DN 125)	55	64	Kompakt	4-023- 22395		*			
119 (KG DN 125)	70	77	Kompakt	4-023- 22396		*			
125	55	64	Kompakt	4-024- 22336		4-024- 22526		4-024- 22349	
125	70	78	Kompakt	4-024- 22337		4-024- 22527			
150	46	54	Kompakt	4-023- 22656		*		4-024- 22350	
150	56	66	Kompakt	4-023- 22657		*			
150	69	78	Kompakt	4-023- 22463		*			
150	79	91	Kompakt	4-024- 22338		4-024- 22528			
150	85	94	Kompakt	4-023- 22382		*			
150	98	110	Kompakt	4-024- 22339		4-024- 22529			
191 (KG DN 200)	106	115	Kompakt	4-023- 22397		*		*	
191 (KG DN 200)	117	126	Kompakt	4-023- 22398		*			
191 (KG DN 200)	132	141	Kompakt	4-023- 22399		*			
200	88	103	Kompakt	4-023- 22658		*		4-024- 22351	
200	108	115	Kompakt	4-024- 22340		4-024- 22530			
200	116	126	Kompakt	4-024- 22341		4-024- 22531			
200	132	141	Kompakt	4-024- 22342		4-024- 22532			
200	135	144	Kompakt	4-023- 22384		*			
200	150	160	Kompakt	4-023- 22652		*			
250	135	144	Kompakt	4-023- 22464		*		*	
250	150	159	Kompakt	4-023- 22465		*			
250	157	162	Kompakt	4-024- 22343		4-024- 22533			
250	168	181	Kompakt	4-024- 22344		4-024- 22534			
250	178	187	Kompakt	4-023- 22386		*			
250	197	202	Kompakt	4-023- 22653		*			
250	204	210	Kompakt	4-023- 22654		*			
300	178	187	Kompakt	4-023- 22466		*			
300	193	204	Kompakt	4-024- 22345		4-024- 22535		*	
300	218	226	Kompakt	4-024- 22346		4-024- 22536			
350	224	233	Kompakt	4-023- 22468		*		*	
350	249	258	Kompakt	4-023- 22469		*			
350	270	282	Kompakt	4-023- 22655		*			
400	270	280	Kompakt	4-023- 22477		4-023- 22478		*	
400	279	288	Kompakt	4-023- 22470		*			
400	304	313	Kompakt	4-023- 22471		*			
400	314	323	Kompakt	4-023- 22472		*			
400	320	330	Kompakt	4-023- 22480		4-023- 22481			

*Available on request/customised kompakt seal up to 2200 mm OD.

Selection Guide



Please copy the order sheet and fax to PSI Ltd Fax +44 (0) 1480 404662							
Core drilled hole e.g. wall sleeve	Carrier pipe in mm		Description	V2A- pressure plate bolts V2A rubber thickness 40 mm		V2A- pressure plate bolts V2A rubber thickness 2 x 40 mm	
	mm	min. max.		Part no.	pcs.	Part no.	pcs.
125	70	78	Kompakt	4-024- 22337		4-023- 22387	
150	69	78	Kompakt	4-023- 22463		4-023- 22485	
150	85	94	Kompakt	4-023- 22382		4-023- 22388	
200	108	115	Kompakt	4-024- 22340		4-023- 22389	
200	119	128	Kompakt	4-023- 22383		4-023- 22390	
200	135	144	Kompakt	4-023- 22384		4-023- 22391	
250	135	144	Kompakt	4-023- 22464		4-023- 22486	
250	150	159	Kompakt	4-023- 22465		4-023- 22487	
250	156	165	Kompakt	4-023- 22385		4-023- 22392	
250	168	181	Kompakt	4-024- 22344		4-023- 22488	
250	178	187	Kompakt	4-023- 22386		4-023- 22393	
300	178	187	Kompakt	4-023- 22466		4-023- 22489	
300	198	207	Kompakt	4-023- 22467		4-023- 22490	
350	224	233	Kompakt	4-023- 22468		4-023- 22491	
350	249	258	Kompakt	4-023- 22469		4-023- 22492	
400	279	288	Kompakt	4-023- 22470		4-023- 22493	
400	304	313	Kompakt	4-023- 22471		4-023- 22494	
400	314	323	Kompakt	4-023- 22472		4-023- 22495	

Description	pcs.	Ø I.D. or wall sleeve	Ø O.D. in mm	Part no.
 Rubber ring		DN 70	18-32	4-012- 22800
		DN 80	30-40	4-012- 22801
		DN 80	42-50	4-012- 22802
		DN 90	32-42	4-012- 22803
		DN 90	42-54	4-012- 22809
		DN 100	8-20	4-012- 22804
		DN 100	25-40	4-012- 22805
		DN 100	40-56	4-012- 22806
		DN 100	56-66	4-012- 22807
		DN 120	60-75	4-012- 22808
 Guide for M6 and M8		DN 50 TO 200		4-023- 22650
 KB-Epoxy resin conservation set for core drilled holes				4-015- S22005

despatched by:

date/signature

Compact KTW- and Special types

If the carrier pipe is not centred or if you want to seal several carrier pipes or cables in the same wall opening, please fill in the form below or give us a detailed drawing showing all dimensions.

The pressure plates for the special versions will be in stainless steel V2A.

- | | | | |
|----------------|--|---------------------------------------|------------------------------|
| Version | <input type="checkbox"/> closed | <input type="checkbox"/> devided | |
| Rubber | <input type="checkbox"/> EPDM (Standard) | <input type="checkbox"/> EPDM-KTW | <input type="checkbox"/> NBR |
| Pressure plate | <input type="checkbox"/> Standard | <input type="checkbox"/> Large flange | |
| | <input type="checkbox"/> V2A (S316) | <input type="checkbox"/> V4A (S316L) | |

ID Coredrill / Sleeve mm

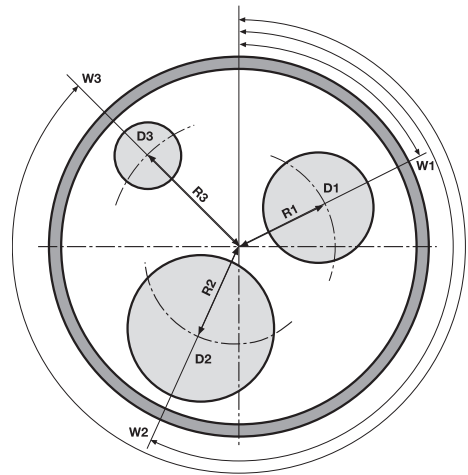
OD Medium pipe 1 mm

if request on OD Medium pipe 2 mm

OD Medium pipe 3 mm

Positioning carrier pipe

Radius (R), Angle (W)



If you need further information – please contact us. We will be pleased to help you.

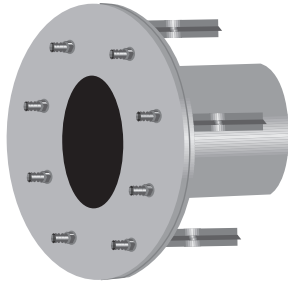
PSI Kompakt-Seals

Technical Data



Wall sleeves with fixed/loose flange

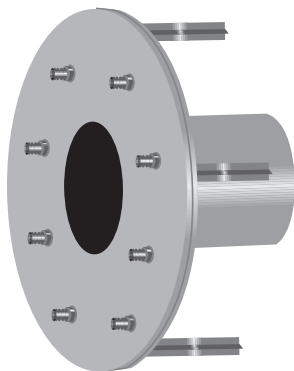
Complying with DIN 18195, Part 9 for constructions with sealing strips including rubber inlays between flanges.



Wall sleeves for non-pressing water:
all steel components made of V2A

OD Pipe	ID Sleeve	OD fixed flange	Length of wall sleeve
20-40	80	224	
20-65	100	244	
55-78	125	269	
69-110	150	294	
108-144	200	344	
135-187	250	396	
178-226	300	446	
224-296	350	496	
279-330	400	548	
300-400	500	648	
400-500	600	748	
500-600	700	848	
600-700	800	948	
700-800	900	1050	
800-900	1000	1150	

Wall sleeves for pressing water, all steel components made of V2A



OD Pipe	ID Sleeve	OD fixed flange	Length of wall sleeve
20-40	80	404	
20-65	100	424	
55-78	125	449	
69-110	150	474	
108-144	200	524	
135-187	250	576	
178-226	300	626	
224-296	350	676	
279-330	400	728	
300-400	500	828	
400-500	600	928	
500-600	700	1028	
600-700	800	1128	
700-800	900	1230	
800-900	1000	1330	

Seals with fixed/loose flange

Complying with DIN 18195, Part 9 for constructions with sealing strips including rubber inlays between flanges, and fastening materials.



Seals against non-pressing water, all steel components made of V2A

OD Pipe	Core drill / ID wall sleeve	OD fixed flange
20-40	80	220
20-65	100	240
55-78	125	265
69-110	150	290
108-144	200	340
135-187	250	390
178-226	300	440
224-296	350	490
279-330	400	540
300-400	500	640
400-500	600	740
500-600	700	840
600-700	800	940
700-800	900	1040
800-900	1000	1140

Further sizes and types in stainless steel upon request

PSI Kompakt-Seals

Technical Data



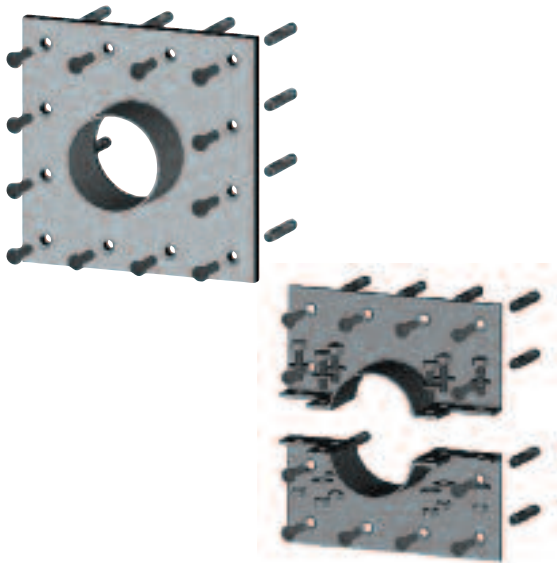
Seals with fixed/loose flange

Complying with DIN 18195, Part 9 for constructions with sealing strips



Seals against pressing water, all steel components made of V2A

O/D Pipe	O/D Sealing	O/D Loose Flange
20-40	80	400
20-65	100	420
55-78	125	445
69-110	150	470
108-144	200	520
135-187	250	570
178-226	300	620
224-296	350	670
279-330	400	720
300-400	500	820
400-500	600	920
500-600	700	1020
600-700	800	1120
700-800	900	1220
800-900	1000	1320



On wall-face sleeve in one-piece and multi-part versions - all steel components made of V2A. For installation in front of a wall or beneath a ceiling, including sealing compound for the wall and fastening materials.

OD Pipe	ID sleeve	Fixed flange edge length	Length of sealing collar
20-40	80	280	60 mm
20-65	100	300	
55-78	125	325	
69-110	150	350	
108-144	200	400	
135-187	250	450	
178-226	300	500	
224-296	350	550	
279-330	400	600	
300-400	500	700	
400-500	600	800	100 mm
500-600	700	900	
600-700	800	1000	
700-800	900	1100	
800-900	1000	1200	

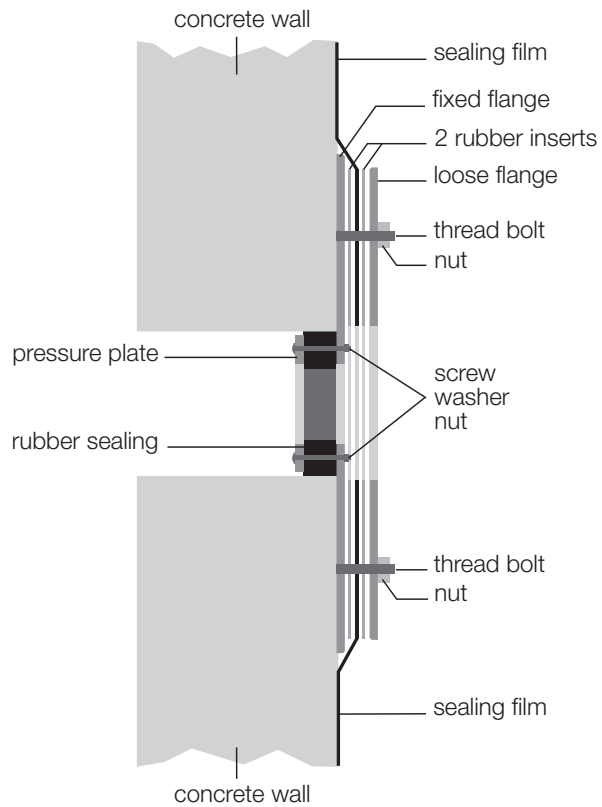
Further sizes and types in stainless steel upon request

PSI Kompakt-Seals

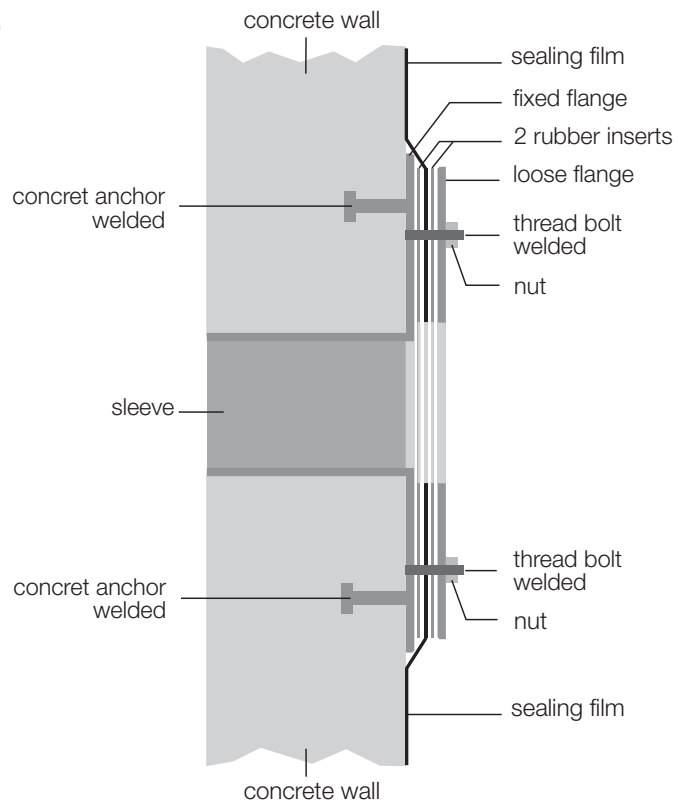
Sectional View



sealing with fixed/loose flange
accord. DIN 18195 T 9
steel parts galvanized
alternative stainless steel



wall sleeve with fixed/loose flange
accord. DIN 18195 T 9
steel parts galvanized
alternative stainless steel

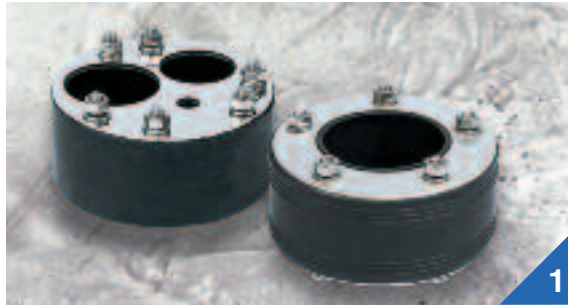


PSI Kompakt-Seals

Installation Instructions



Each sealing consists of one rubber element, 2 pressure plates and the corresponding number of bolts and nuts.



Clean the wall sleeve, core drilled hole, carrier pipe or cable. We recommend to coat core drill with epoxy resin.



Push the PSI COMPAKT into the sleeve or core drilled hole and push the carrier pipe through. If the carrier pipe is already installed please use our divided version



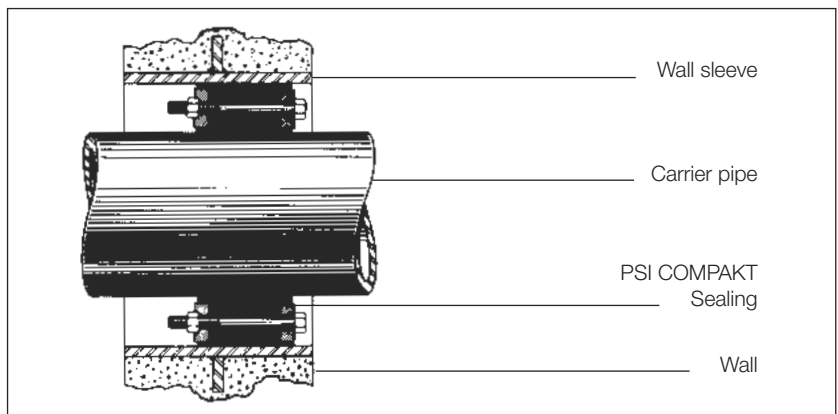
Start to tighten the nuts clock wise with a torque wrench. Giving each nut 2-3 turns. Repeat procedure after two hours.



Note:

Make sure that you have access to the nuts for eventual re-tightening.

max. torque moment	bolts
5 Nm	M6
10 Nm	M8
15 Nm	M10
20 Nm	M12



PSI Kompakt Varia 1.5

Installation Instruction



To peel off the onion rings push the rings backwards and cut with a sharp knife. Pull off the ring by hand.



1

Push out the centre plug



2

Push the onion rings



3

with a screw driver backwards



4

Slightly cut the remaining rubber



5

and pull away the onion ring

Example:

For a carrier pipe O.D. 32 mm take off the centre and three additional onion rings of 5 mm. The new opening of 35 mm I.D. is now suitable for your carrier pipe of 32 mm O.D.



Kompakt Type „FW“ 2x40
for preinsulated pipe



Kompakt multiple
open available



Kompakt Varia 1.5
onion rings



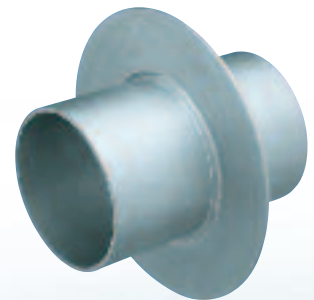
Kompakt blind



Kompakt



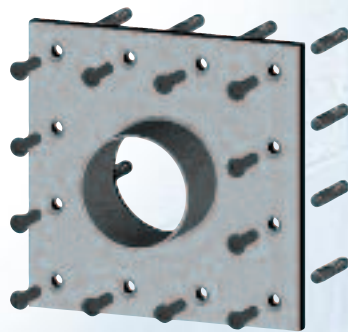
Kombi C.P.
for cables



Wallsleeves
in Steel, Cement or PVC



Sealing plug
metal free



On wall-face sleeve,
split and closed version



Seals with fix/loose flange
in accordance
with DIN 18195 T9



LinkSeal



Stopaq
Sealing Compound



Kompakt-Special